

**COMPACT EXCAVATOR**  
EX9018/9020/9025/9030/9035

**CANMAX**



**RUN SMALL**  
**PERFORM BIG**

[WWW.CANMAXCM.COM](http://WWW.CANMAXCM.COM)

**HONEST, STRICT, SHARE TO GET**  
**SINCE 2006**

# WHY CHOOSE CANMAX COMPACT EXCAVATOR



**FUEL ECONOMY  
HIGH PERFORMANCE**



**EXCLUSIVE  
DESIGN**



**UNIQUE  
COMFORT CAB**





**PILOT  
JOYSTICK**



**EASY  
MAINTENANCE**



**VARIOUS  
ATTACHMENTS**



# FEATURES

# CANMAX

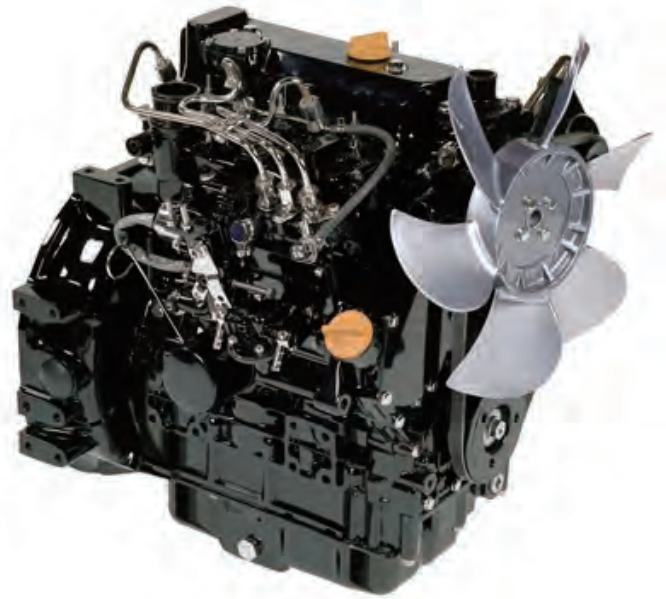
## FUEL ECONOMY HIGH PERFORMANCE

### YANMAR Diesel Power

- 3 cylinder, 4-cycle, liquid cooled diesel engine.
- Strong power with more enhanced durability due to better block cooling, a stiffer crank and pistons.
- Reduced emissions, improved performance over a wide range of applications and good fuel economy.

### Reliable Components

- Nachai main pump.
- Eaton rotary motor.
- Nachai walking motor.



## EPA TIER 4



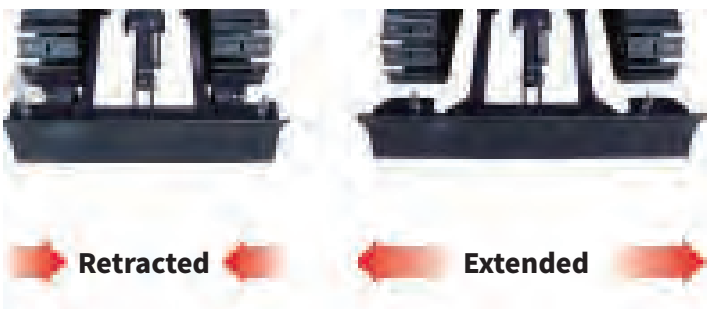
## EXCLUSIVE DESIGN

### Tailless Compact Excavator

- Reduced-tail-swing design makes CANMAX compact excavators extra maneuverable and plenty productive in places with tight spaces.

### Adjustable Crawlers and Blade

- Crawlers can be extended and retracted by control lever.
- Retracted for truck transport and easy access to narrow job sites.
- Extended for surefooted excavation.



Retracted

Extended

## UNIQUE COMFORT CAB

### Welcome Aboard

- Wide entryways, making entrance and exit easier than ever, ROPS and FOPS structure is fully equipped.
- An air-suspension seat helps keep the operator comfortable for the toughest work.
- Enclosed cab with air conditioner is optional.



## PILOT JOYSTICK

### Productivity at Your Fingertips

- Italian make
- Multifunction by one hand.
- The ergonomic handle provides great sensitivity & accuracy while manoeuvring and make it very comfortable to use for the operator.

# FEATURES

# CANMAX

## EASY MAINTENANCE

### Save Time and Money

- A convenient quick-service 180 degrees open side door provides easy access to daily check points.
- Engine meets EPA Final Tier 4 emission standards without aftertreatment devices which can reducing maintenance and expense.
- Reliable maintenance-free steel arm and high quality flexible hydraulic cylinder.



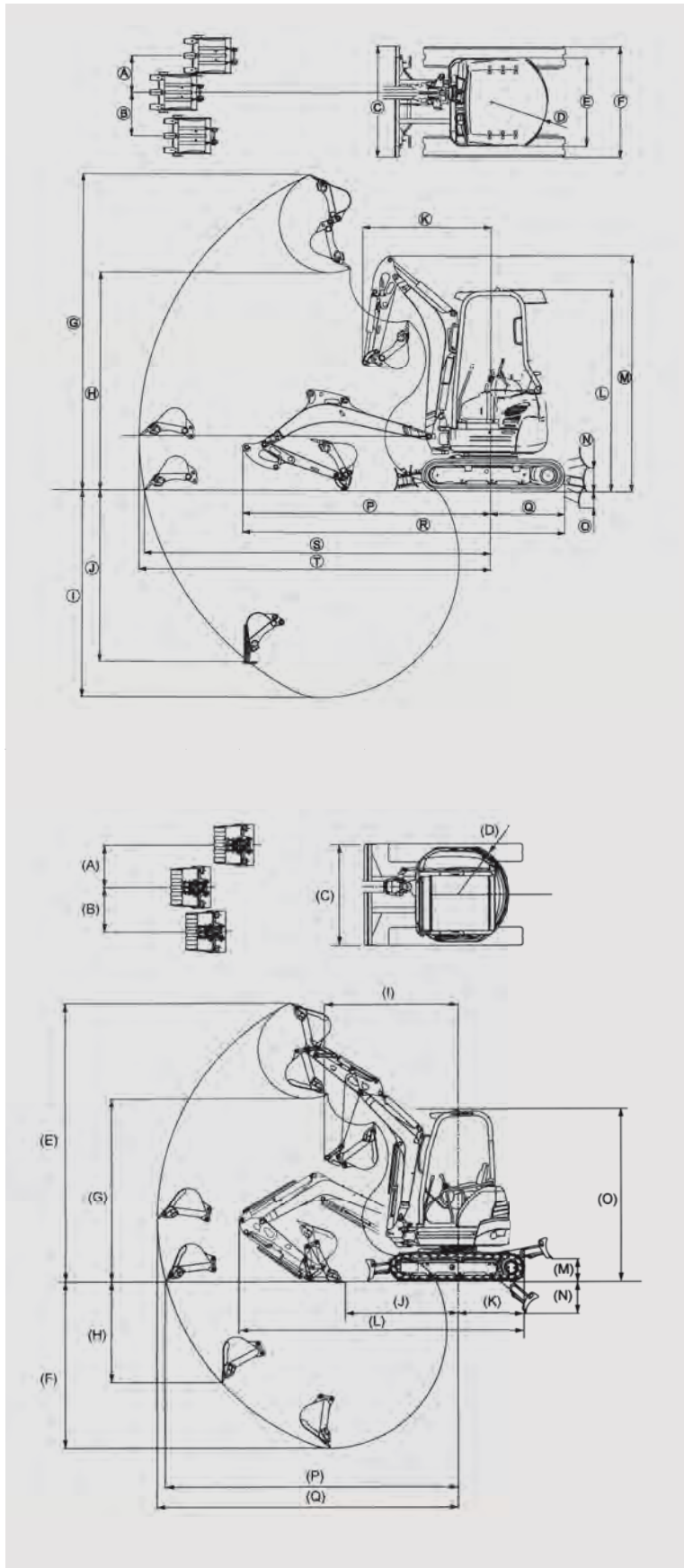
## VARIOUS ATTACHMENTS

### Right Tool for the Right Job

● Standard equipped with bucket, also various choices of other attachments such as hammers, plate compactors and augers etc.



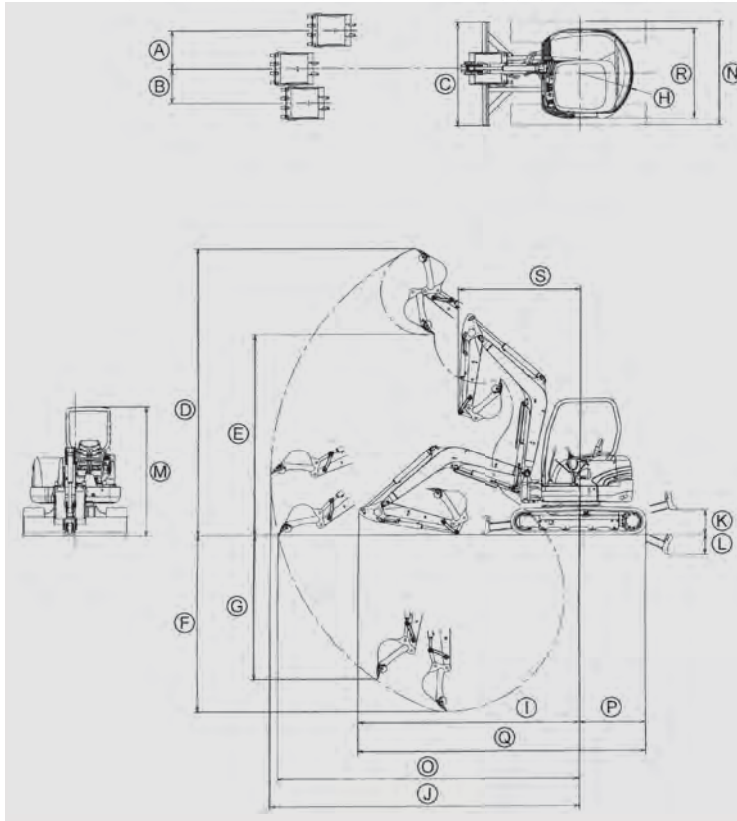
# SPECIFICATION



DIMENSIONS		EX9018	EX9020
A	mm	410	410
B	mm	485	485
C	mm	990/1240	990/1240
D	mm	620	620
E	mm	980	980
F	mm	990/1240	990/1240
G	mm	3540	3540
H	mm	2440	2440
I	mm	2310	2310
J	mm	1910	1910
K	mm	1430	1430
L	mm	2250	2250
M	mm	2630	2630
N	mm	245	245
O	mm	200	200
P	mm	2750	2750
Q	mm	815	815
R	mm	3570	3570
S	mm	3840	3840
T	mm	3900	3900

DIMENSIONS		EX9025
A	mm	590
B	mm	620
C	mm	1300/1500
D	mm	710
E	mm	3880
F	mm	2320
G	mm	2550
H	mm	1900
I	mm	1850
J	mm	1505
K	mm	930
L	mm	3850
M	mm	340
N	mm	270
O	mm	2380
P	mm	4015
Q	mm	4140

# SPECIFICATION



DIMENSIONS		EX9030	EX9035
A	mm	600	600
B	mm	635	635
C	mm	1550	1550
D	mm	4600	4600
E	mm	3175	3175
F	mm	2880	2880
G	mm	2305	2305
H	mm	790	790
I	mm	3455	3455
J	mm	4965	4965
K	mm	360	360
L	mm	340	340
M	mm	2440	2440
N	mm	1550	1550
O	mm	4845	4845
P	mm	1030	1030
Q	mm	4485	4485
R	mm	1440	1440
S	mm	2035	2035
S(Swing)	mm	1650	1650

PERFORMANCE		EX9018	EX9020	EX9025	EX9030	EX9035
Machine Weight	kg	1760	1920	2480	3375	3515
Swing Speed	r/min	8.2	7.5	9.5	8.5	8.5
Running Speed(low/high)	km/h	2/3.5	2/3.5	2.4/4.2	3.0/4.2	3.0/4.2
Ground Pressure	kpa	25	25.5	28.4	28	28
Gradeability	%	58	58	58	58	58
BUCKET						
Capacity	m <sup>3</sup>	0.04	0.046	0.066	0.09	0.11
Width	mm	400	460	460	480	600
Max. Excavating Force	kn	15.2	15.2	18.4	26.5	26.5
ENGINE						
Model		3TNV70-SSY	KDW1003	3TNV76-P	3TNV88-BSSY	3TNV88-BSSY
Displacement	l	0.854	1.028	1.116	1.64	1.64
Output Power	kw	10.3	12.5	15	19.6	20.5
SCOPE OF WORK						
Max.Digging Height	mm	3540	3540	3880	4600	4600
Max.Unloading Height	mm	2440	2440	2550	3175	3175
Max.Digging Depth	mm	2310	2310	2320	2880	2880
Max.Vertical Mining Depth	mm	1910	1910	1900	2305	2305
Max.Digging Radius	mm	3900	3900	4140	4965	4965
Min.Turning Radius	mm	1430	1430	1850	2035	2035
Max.Bulldozing Height	mm	245	245	340	360	360
Max.Depth of Bulldozing	mm	200	200	270	340	340
Dozer Blade(Width * Height)	mm	1240×268	1240×268	1500×292	1550×235	1550×235
Swing Angle	degree	65	65	75	70	70



**CANMAX**

Shanghai Canmax Industry Group Co, Ltd.

Add:6/F,No.518, Guo'an Road, Yangpu District, Shanghai, PRC.

Tel:0086-21-3535 9336 Fax:0086-21-3535 9339

Email: [export@canmaxcm.com](mailto:export@canmaxcm.com)

**[WWW.CANMAXCM.COM](http://WWW.CANMAXCM.COM)**

***HONEST, STRICT, SHARE TO GET  
SINCE 2006***